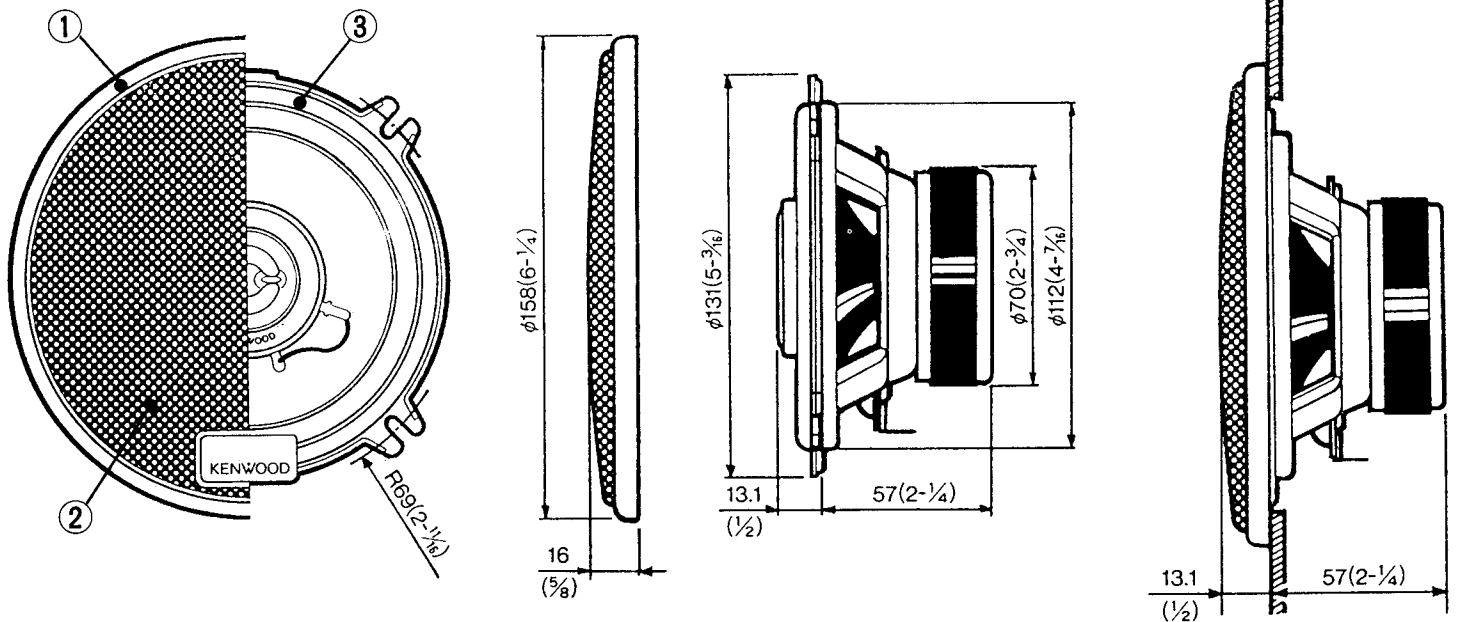


EXTERNAL VIEW



UNIT: mm (inch)

SPECIFICATIONS

Speakers

- Woofer 13cm(5-1/4in) P.P Cone type
228g(8oz) Magnet
- Tweeter 2.5cm(1in) Balanced dome type
- Peak power 100Watts
- Frequency Response 45Hz~22,000Hz
- Sensitivity 90dB/W at 1m
- Impedance 4 Ohms
- Weight per speaker with grille 0.75Kg(1lb 10oz)/pc

We follow a policy of advancements in development.
For this reason specifications may be changed without notice.

PARTS LIST

*New parts

Parts without **Parts No.** are not supplied.
Les articles non mentionnés dans le **Parts No.**
ne sont pas fournis.
Teile ohne **Parts No.** werden nicht geliefert.

Ref No.	New Parts	Parts No.	Description
①	*	B06-0442-08	GRILLE
	*	B43-0868-08	BADGE SET
		B46-0100-20	WARRANTY CARD
		E30-5058-08	CORD SET
②	*	F09-0990-08	PROTECTOR
		N99-1088-08	SCREW SET
③	*	T15-0170-08	SPEAKER